

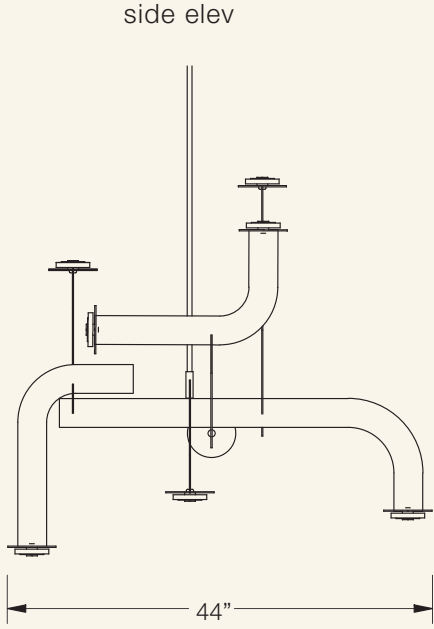
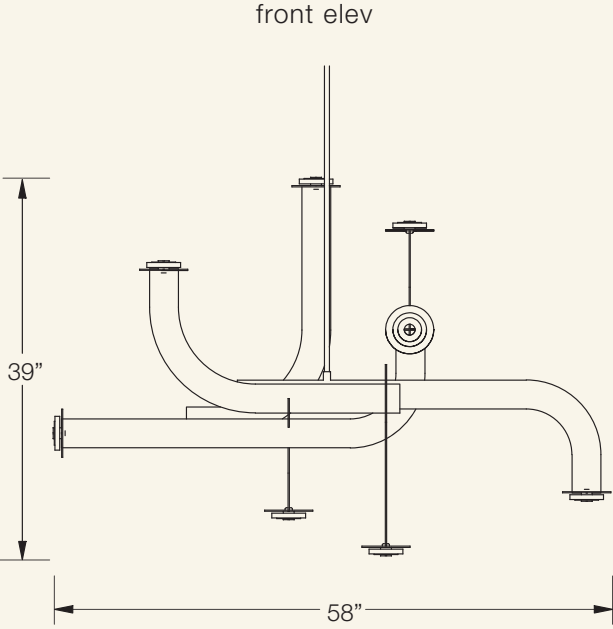
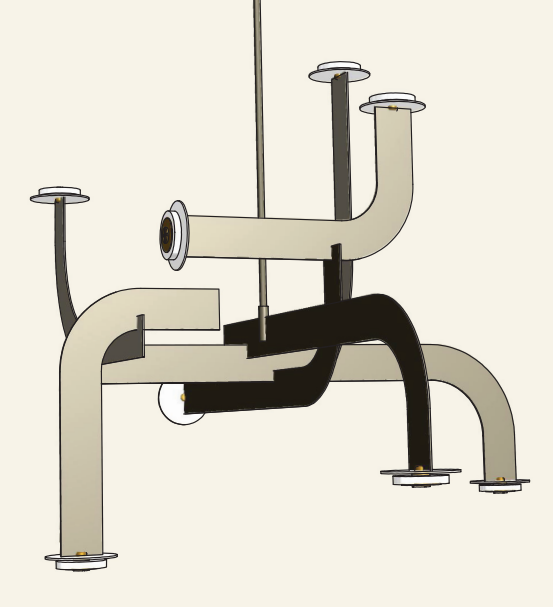
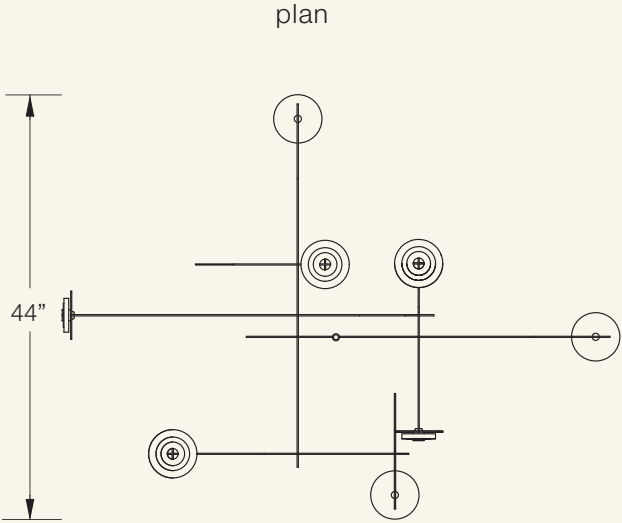
guston

guston is constructed of curved flat bands interlocking at right angles. It is a balanced set of arms, a rigid mobile. Available in anodized or plated finishes, with white or colored glass diffusion discs.



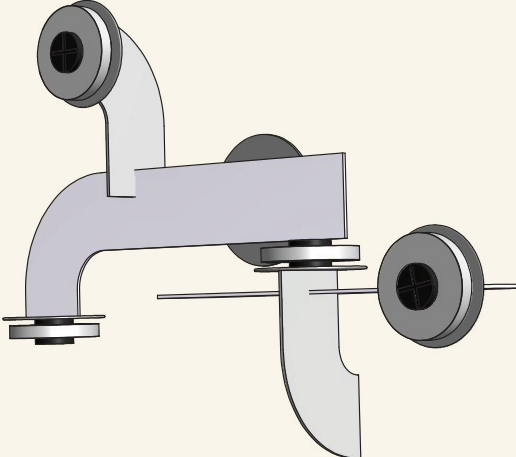
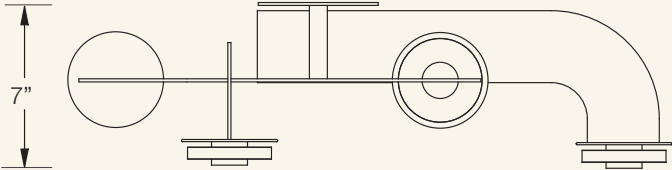
- dimensions..... Sizes of configurations are shown on the following pages.
- material..... Structure of aluminum with white or colored glass disc diffusers.
- finish..... Satin anodized aluminum in standard colors of black, bronze, brass or silver, with custom anodized colors available. Plated finishes in brass and sterling silver.
- lamping..... 4w Cree CoB chip at 2700K or 3000K color temperature.
- power..... 120-277V electronic dimmable driver. dimming by 0-10v and/or forward phase, depending on the number of light sources. Driver is housed in a canopy enclosure mounted at the ceiling, or remotely.
- custom..... All configurations can be customized in size and form. Changes to the scale of the parts are also possible with longer lead times.

guston-8.1 chandelier

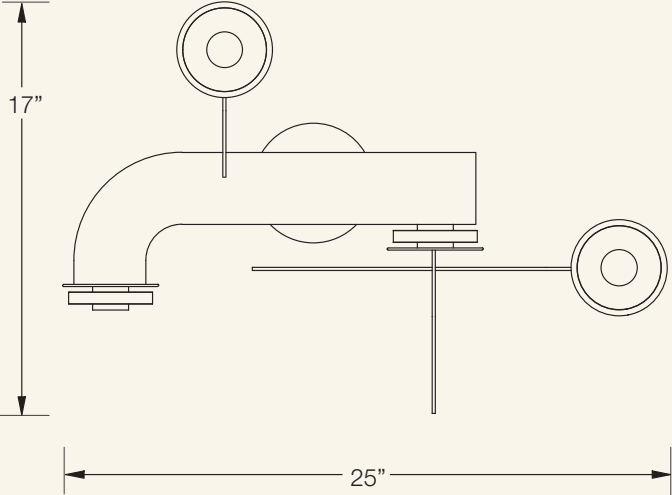


guston-4-1 sconce

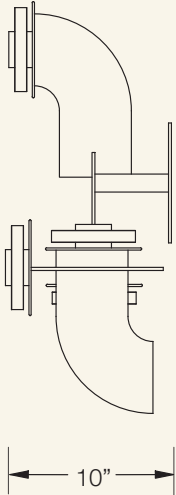
plan



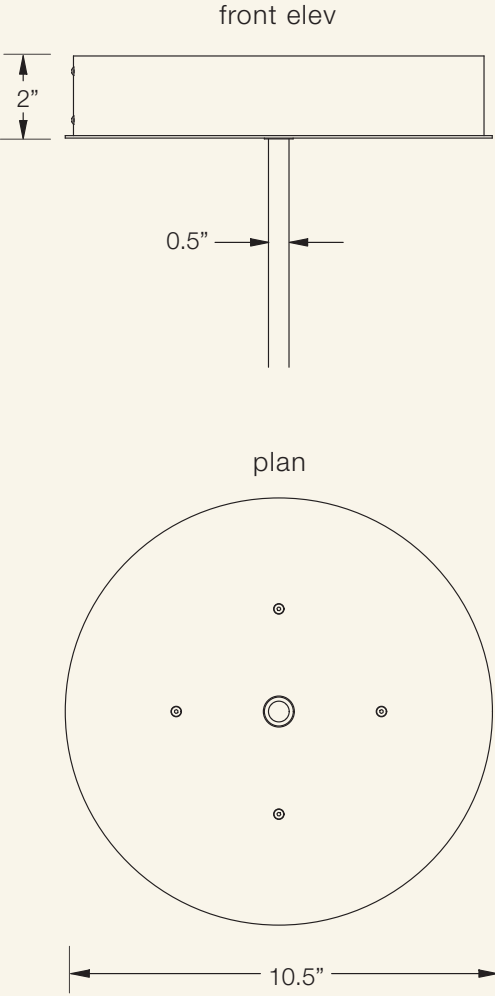
front elev



side elev



standard canopy
with enclosed driver



The aluminum structure of **guston** comes in an anodized or plated finish. Multiple colors can be specified for one fixture. Standard colors are shown here and others are available on request.

