

cone

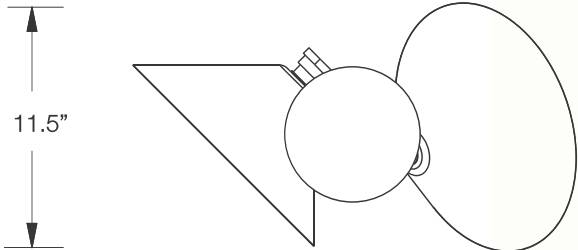
Taking cues from our **elbo** series, the **cone** chandelier uses arm pieces with forty-five degree bends to create layered geometries between the armature and conical porcelain diffusers. The indirect light source gives a soft light and creates a warm glow in the thin porcelain diffusers.



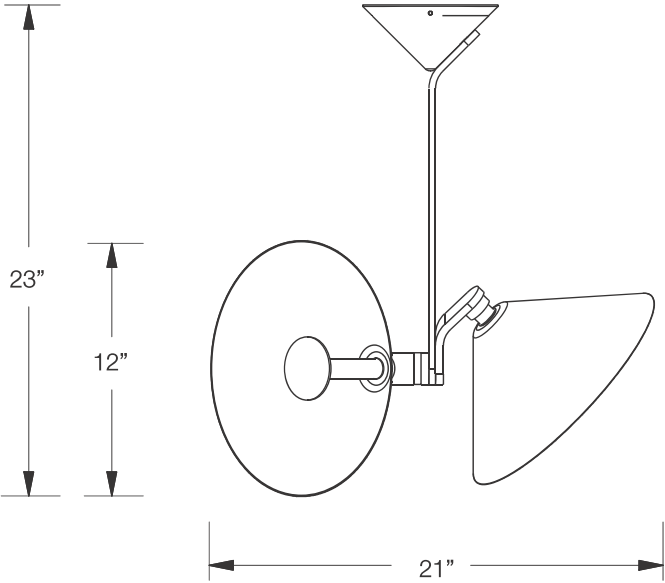
- dimensions..... Sizes of various configurations are shown on the following pages.
- material..... Structure of aluminum with porcelain diffusers.
- finish..... Satin anodized aluminum in standard or custom finishes.
- lamping..... 4w Cree CoB chip at 2700K or 3000K color temperature, one per diffuser.
- power..... Fixture is low voltage and powered by a 120-240V electronic dimmable transformer.
- suspension..... Suspension stem drop length may be specified during ordering.

cone-2.1

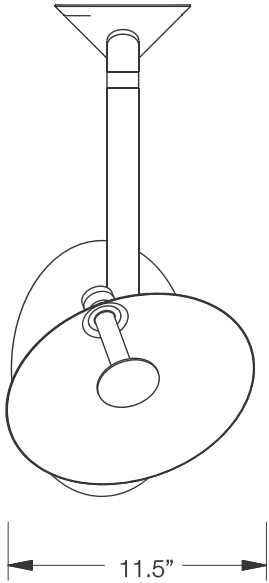
plan



elevation



side

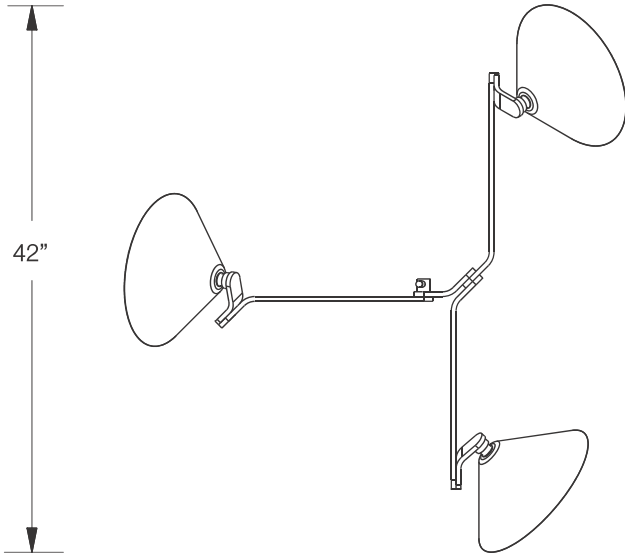


cone

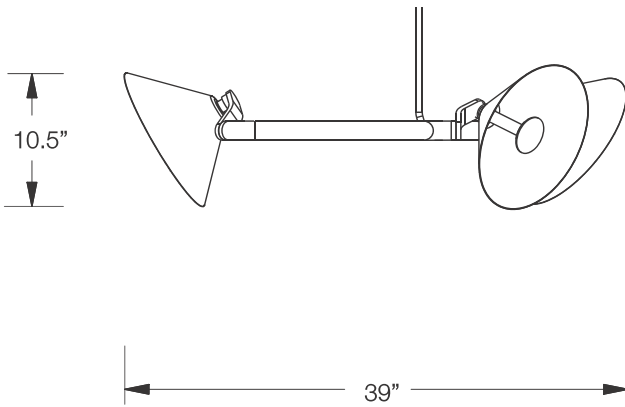
3.

cone-3.1

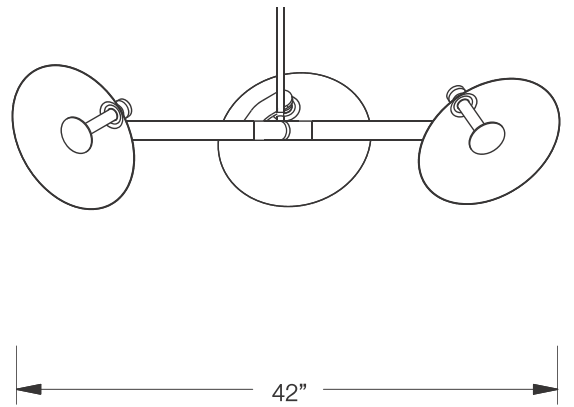
plan



elevation



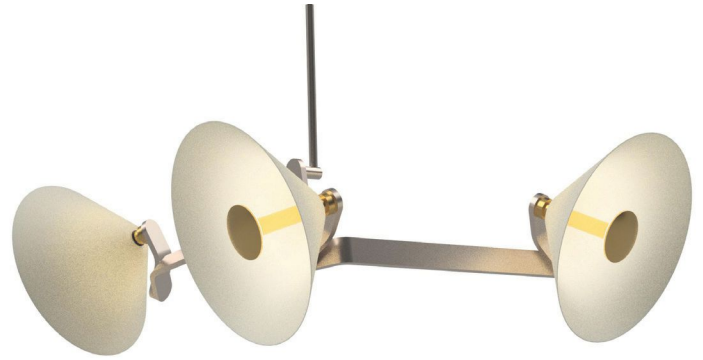
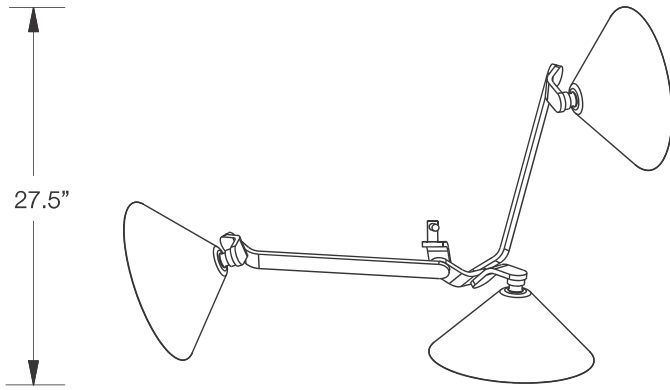
side



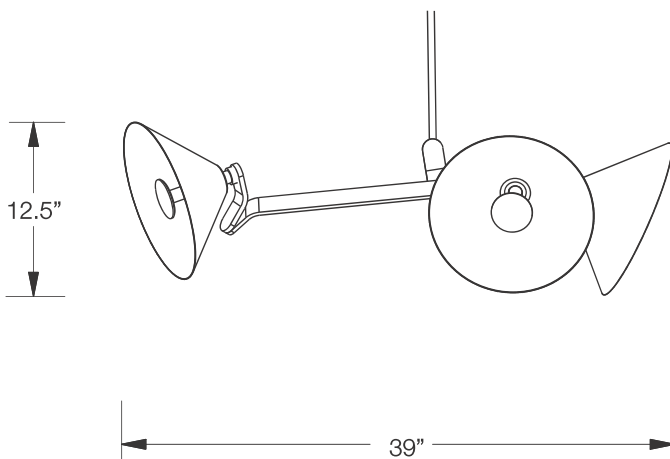
cone

cone-3.2

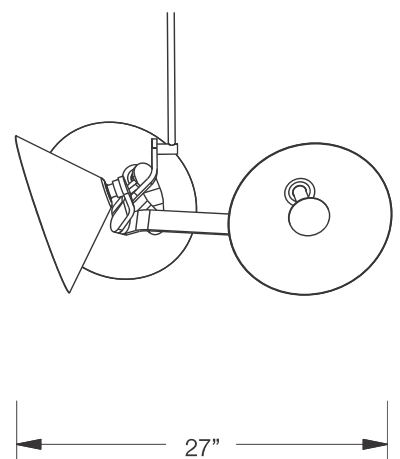
plan



elevation



side

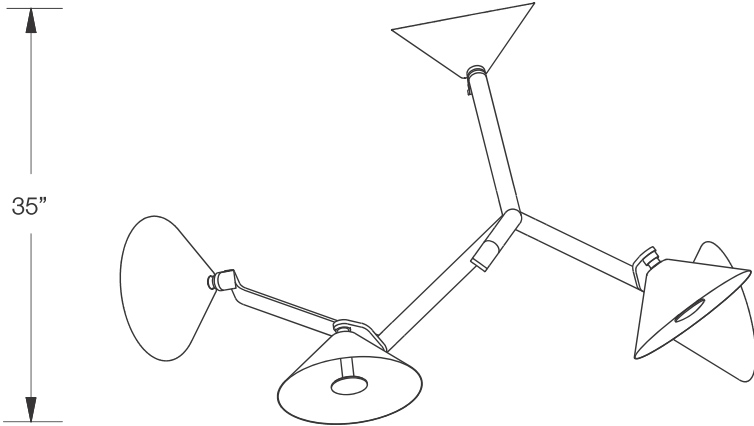


cone

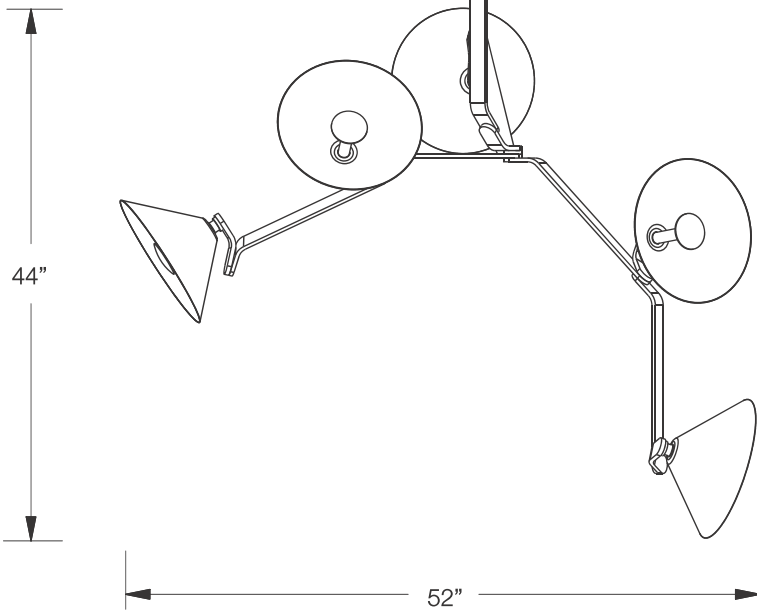
5.

cone-5.1

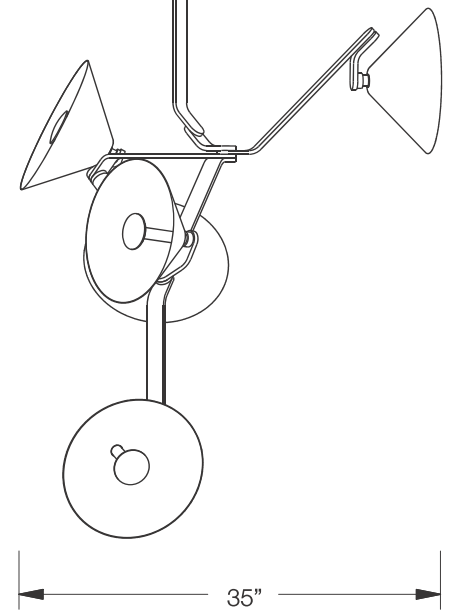
plan



elevation



side

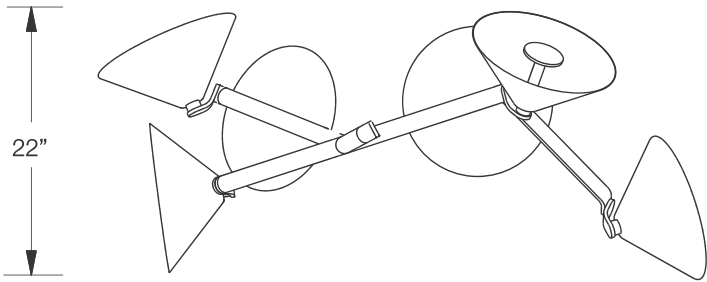


cone

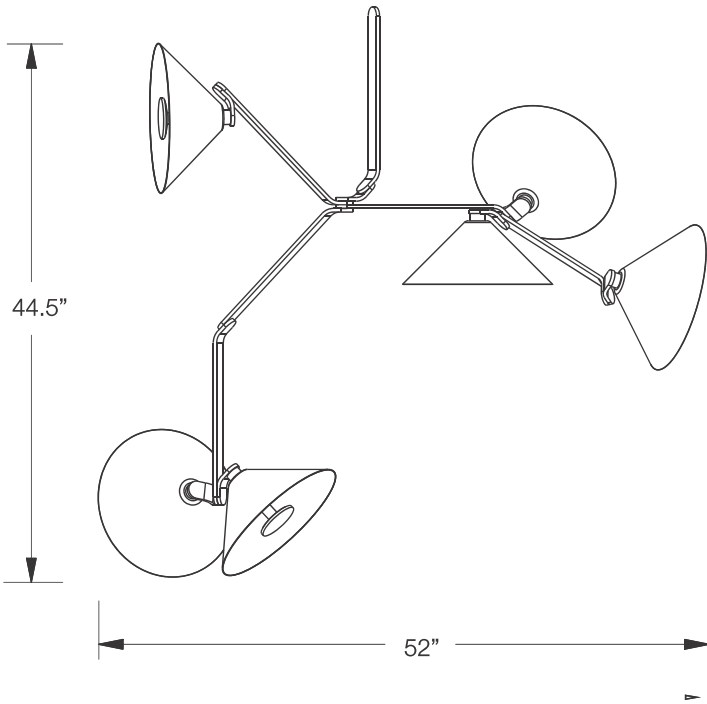
6.

cone-6.1

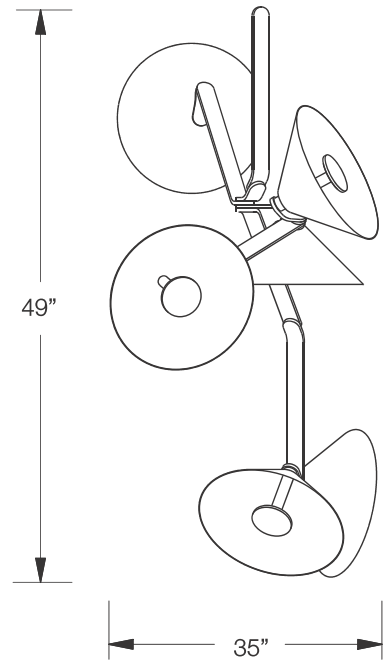
plan



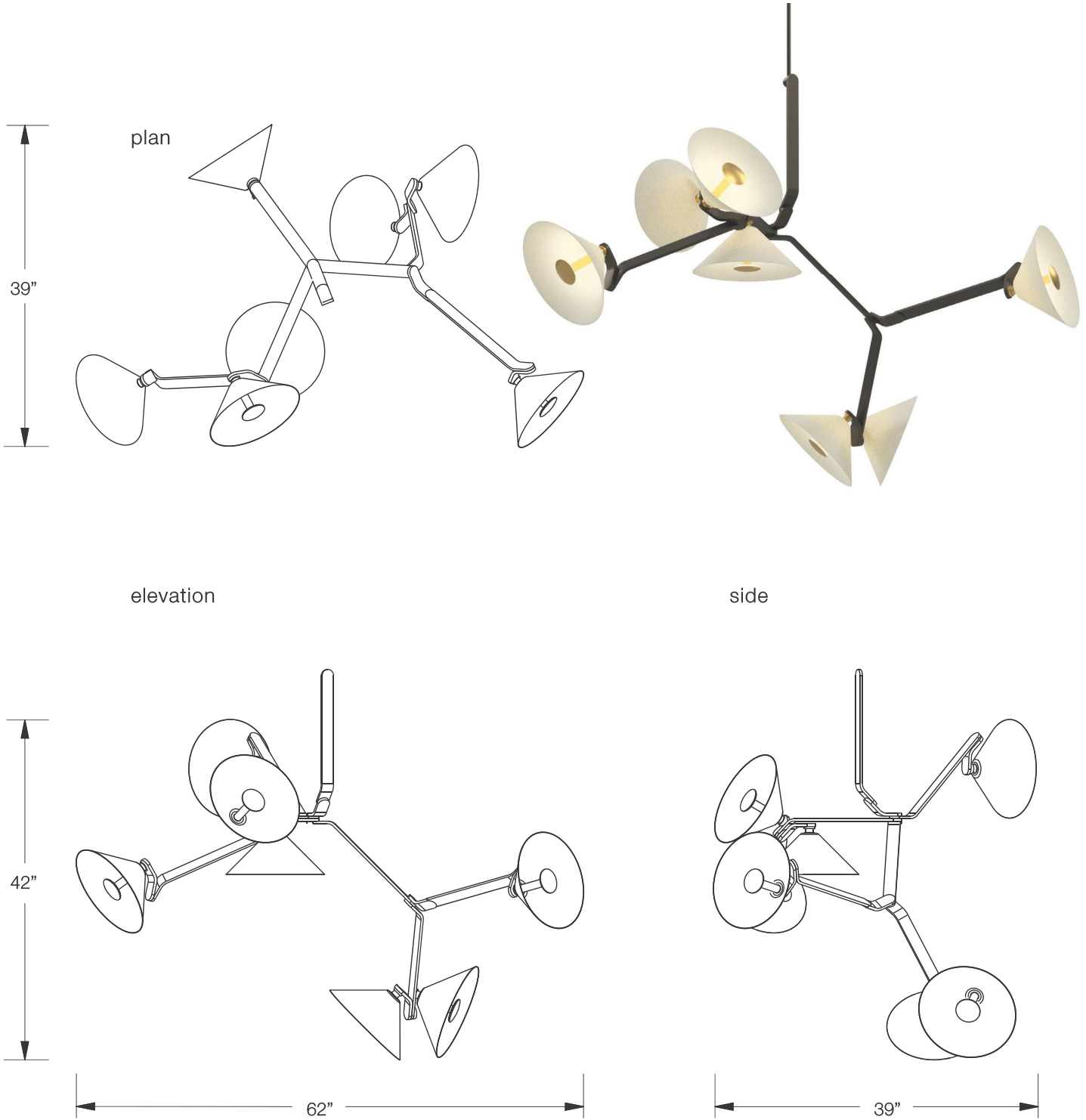
elevation



side

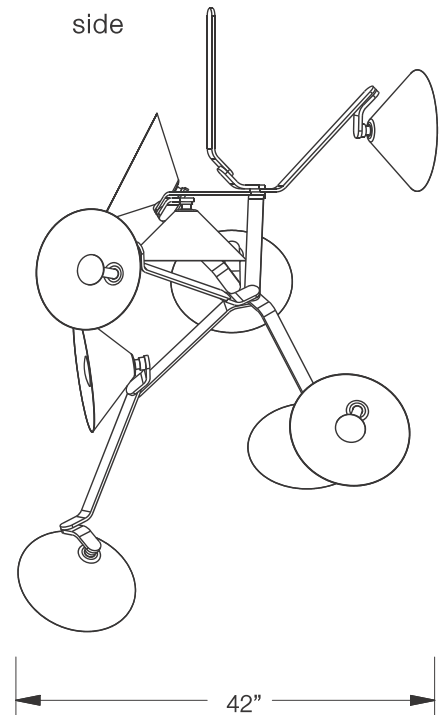
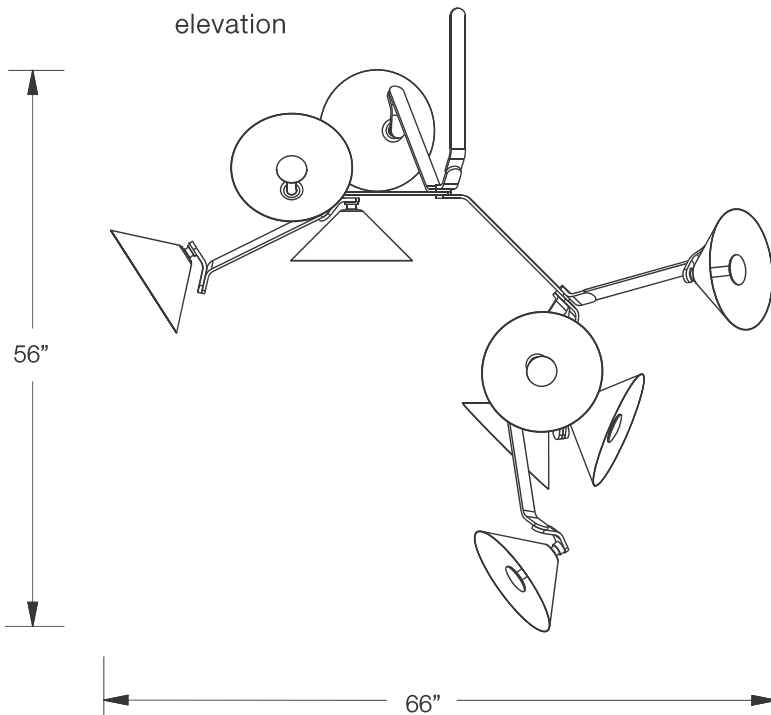
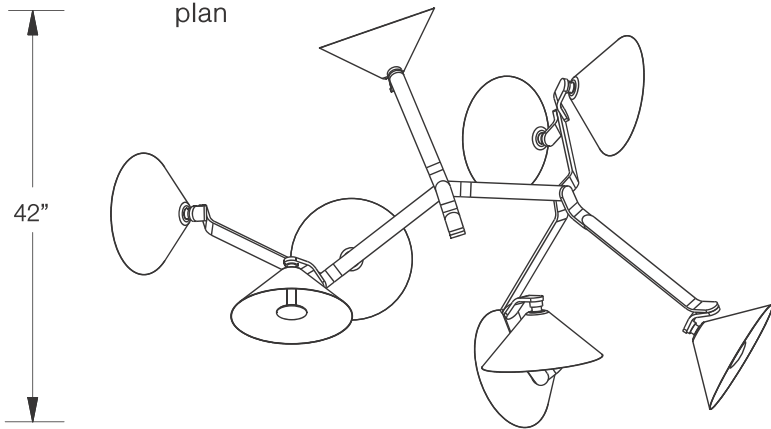


cone-7.1



cone

cone-9.1

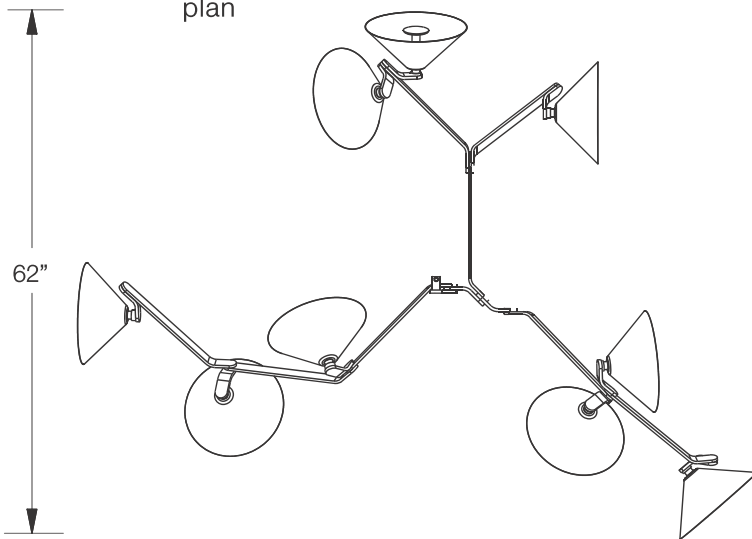


cone

cone-9.2

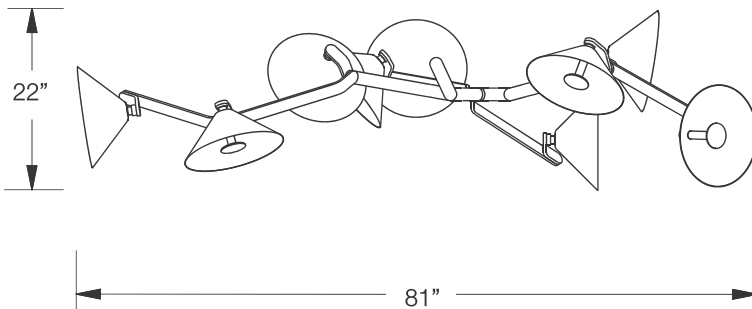


plan



62"

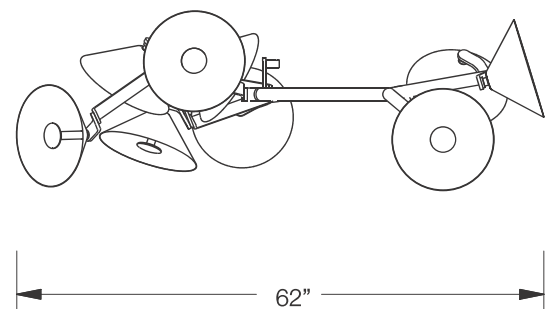
elevation



22"

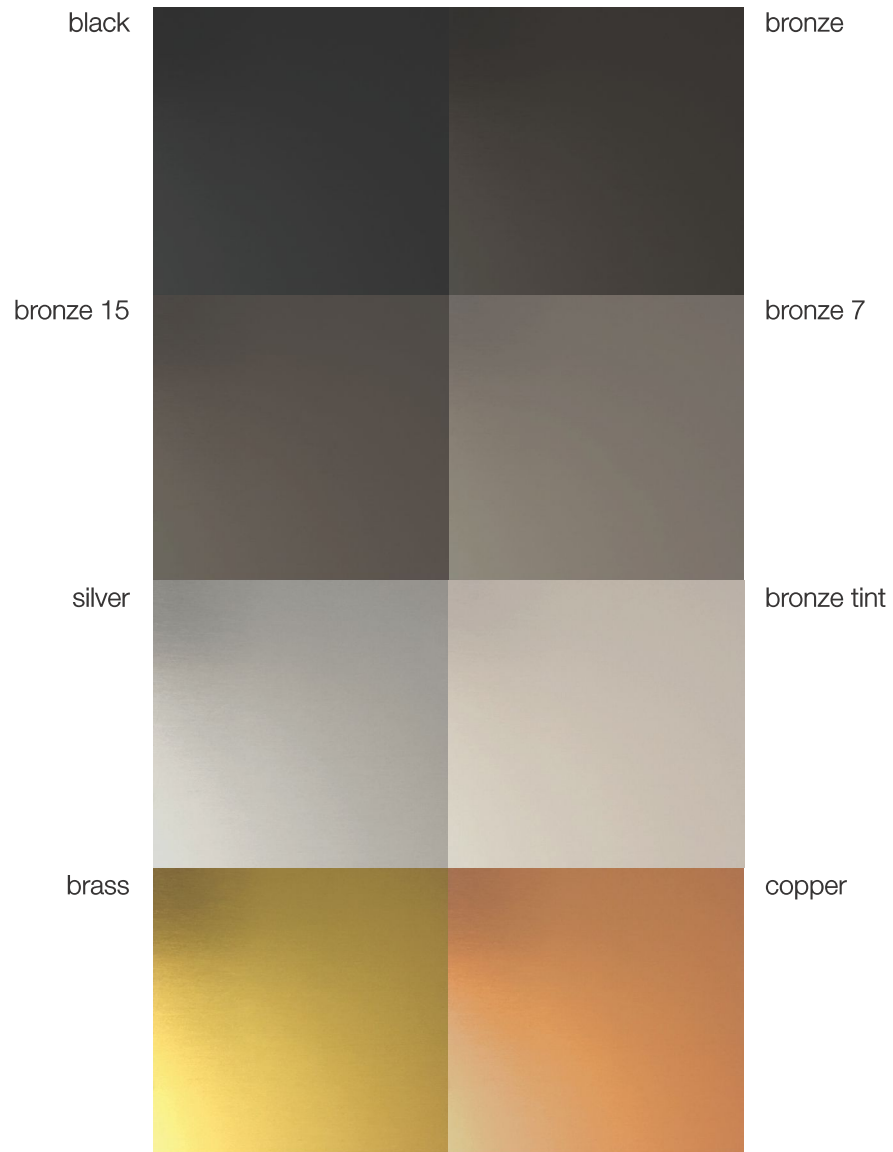
81"

side



62"

The aluminum structure of cone comes in an anodized finish.
Standard colors are shown here and others are available by request.



This illustrates the standard canopy with enclosed driver used for round stem suspended models.

